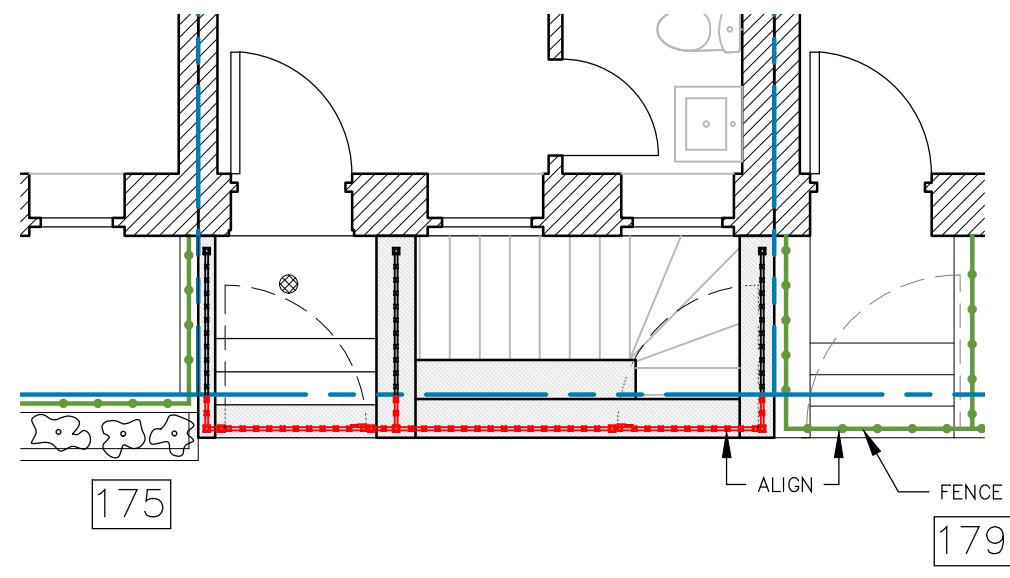
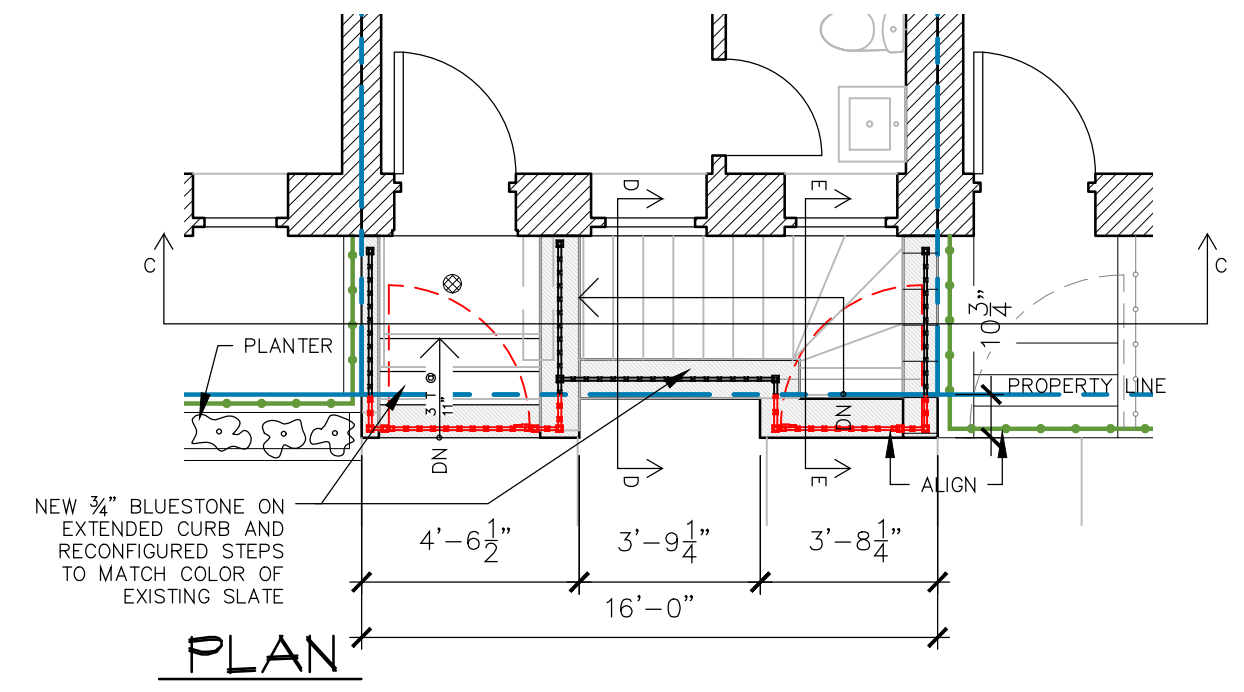


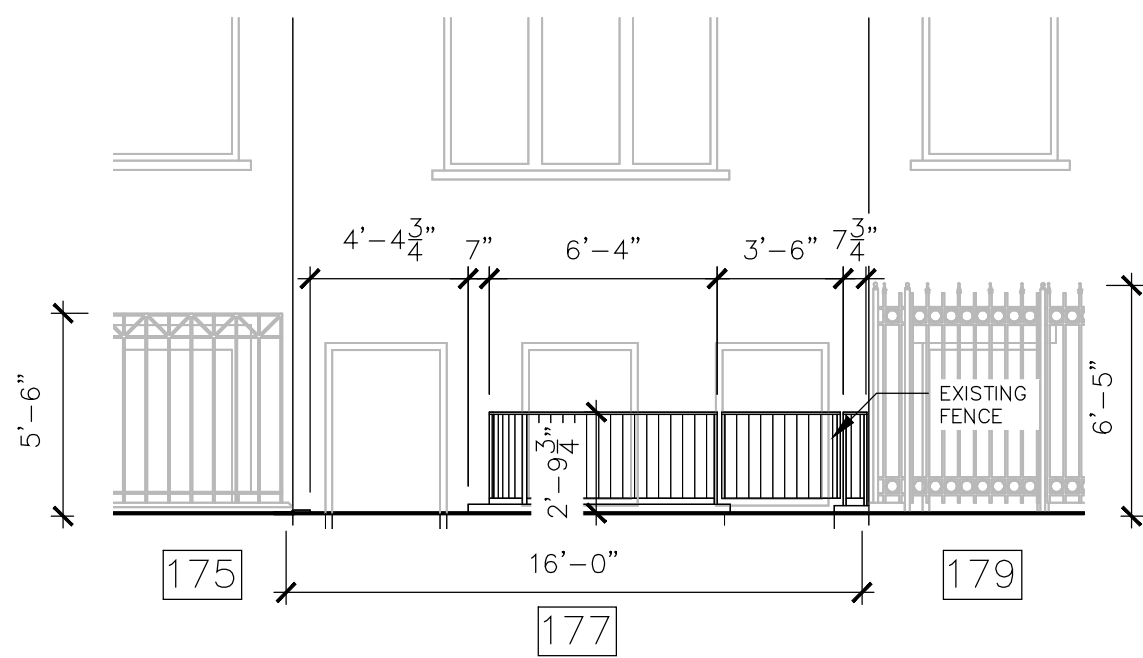
PLAN



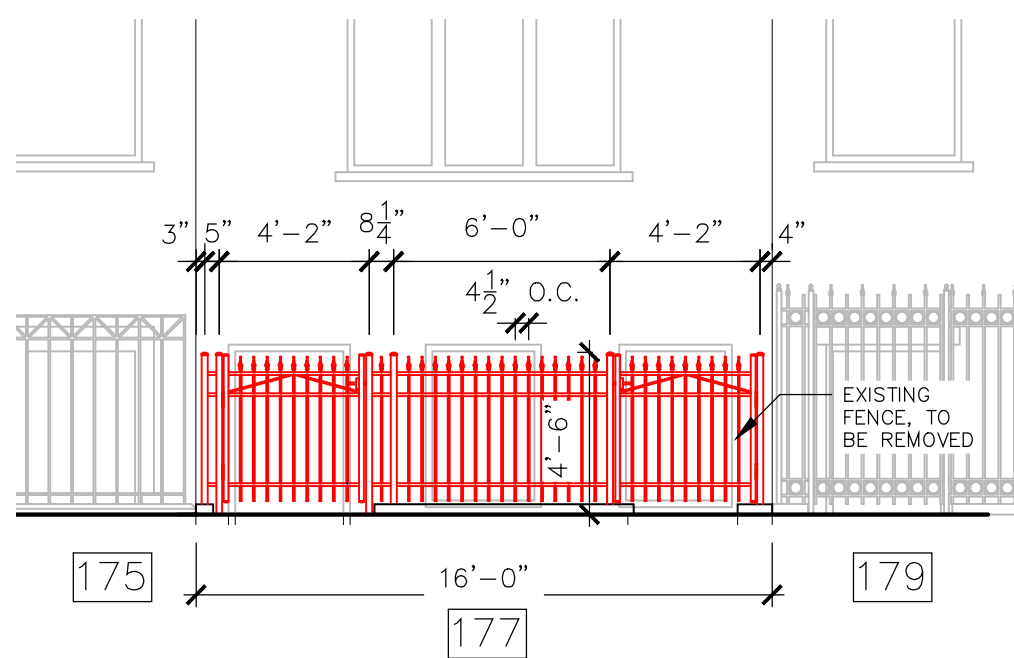
PLAN



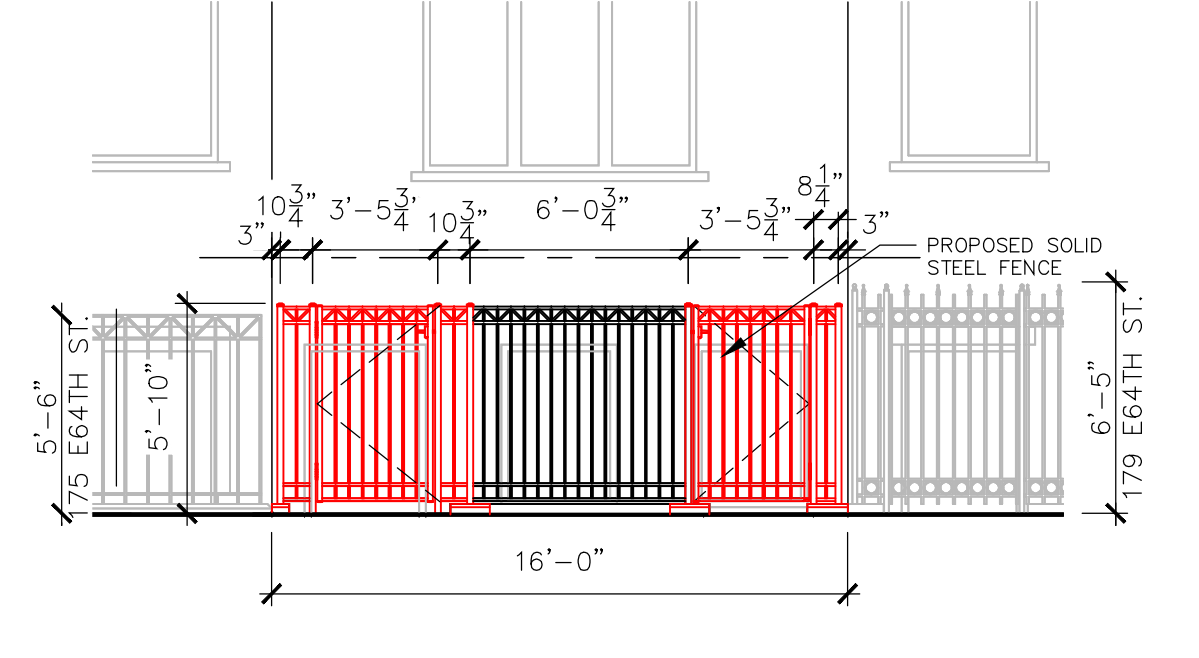
PLAN



ELEVATION



ELEVATION



ELEVATION

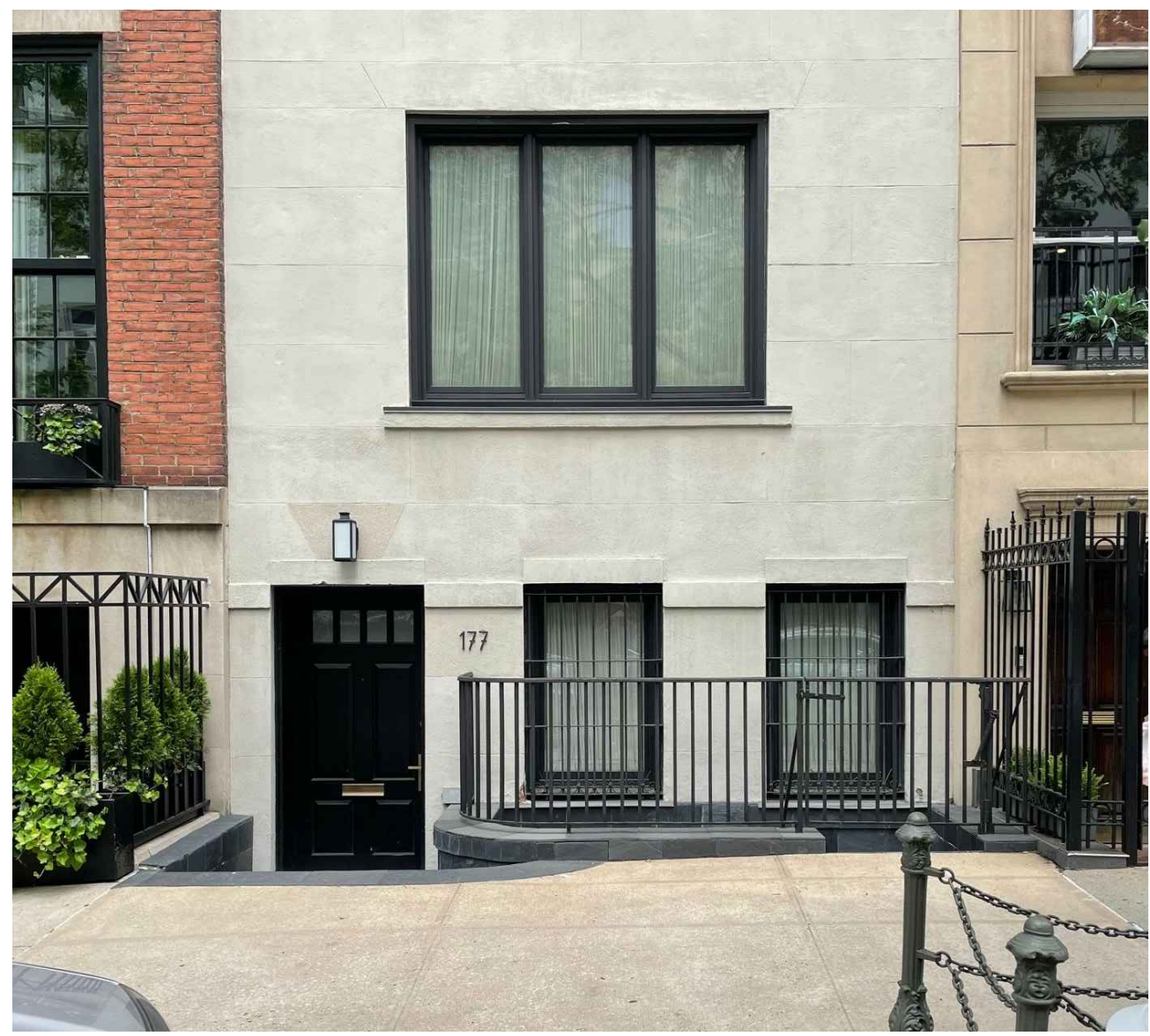
EXISTING CONDITIONS

EXISTING REVOCABLE CONSENT GRANTED 8/2/2017

PROPOSED MODIFICATION TO EXISTING REVOCABLE CONSENT



LOOKING AT 175



177 FRONT



LOOKING AT 179

SEALS/ SIGNATURE:

CB8M PRESENTATION DRAWING  
MODIFICATION TO  
REVOCABLE CONSENT

CB-001.00

1 OF 1