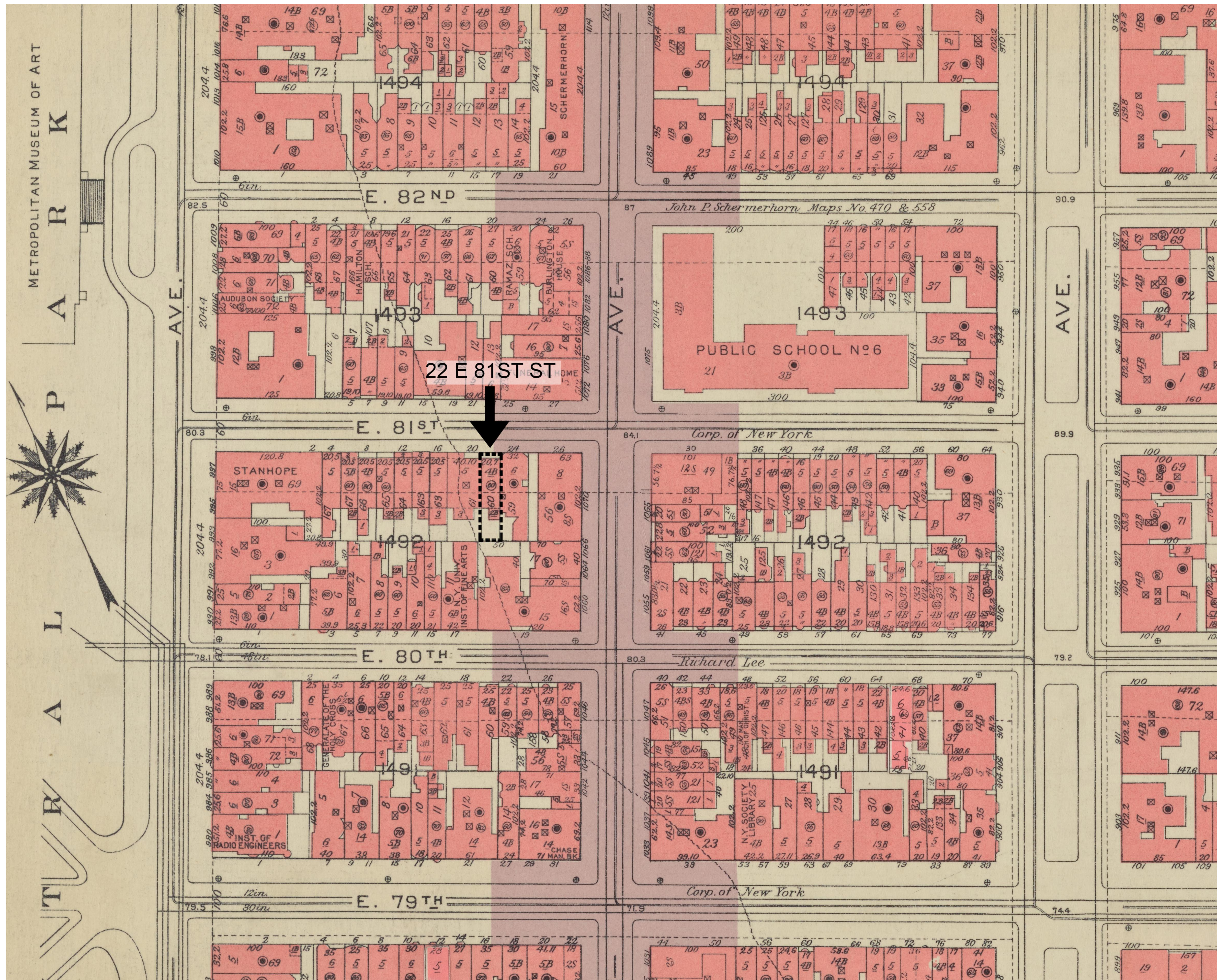


22 E 81ST STREET





22 E 81ST ST - PROJECT LOCATION - BROMLEY MAP 1955-56





1 22 E 81 ST ST - 1940 TAX PHOTO  
Scale N.T.S.



2 22 E 81ST ST - 1980 TAX PHOTO  
Scale N.T.S.





22 E 81ST ST - EXISTING PHOTO  
Scale N.T.S.



22 E 81ST ST - EXISTING PHOTO  
Scale N.T.S.





1 156 E 62ND ST - PRECEDENT  
Scale N.T.S.



2 31 E 63RD ST - PRECEDENT  
Scale N.T.S.





1-23 E 81ST ST - LIMESTONE FACADES  
Scale N.T.S.

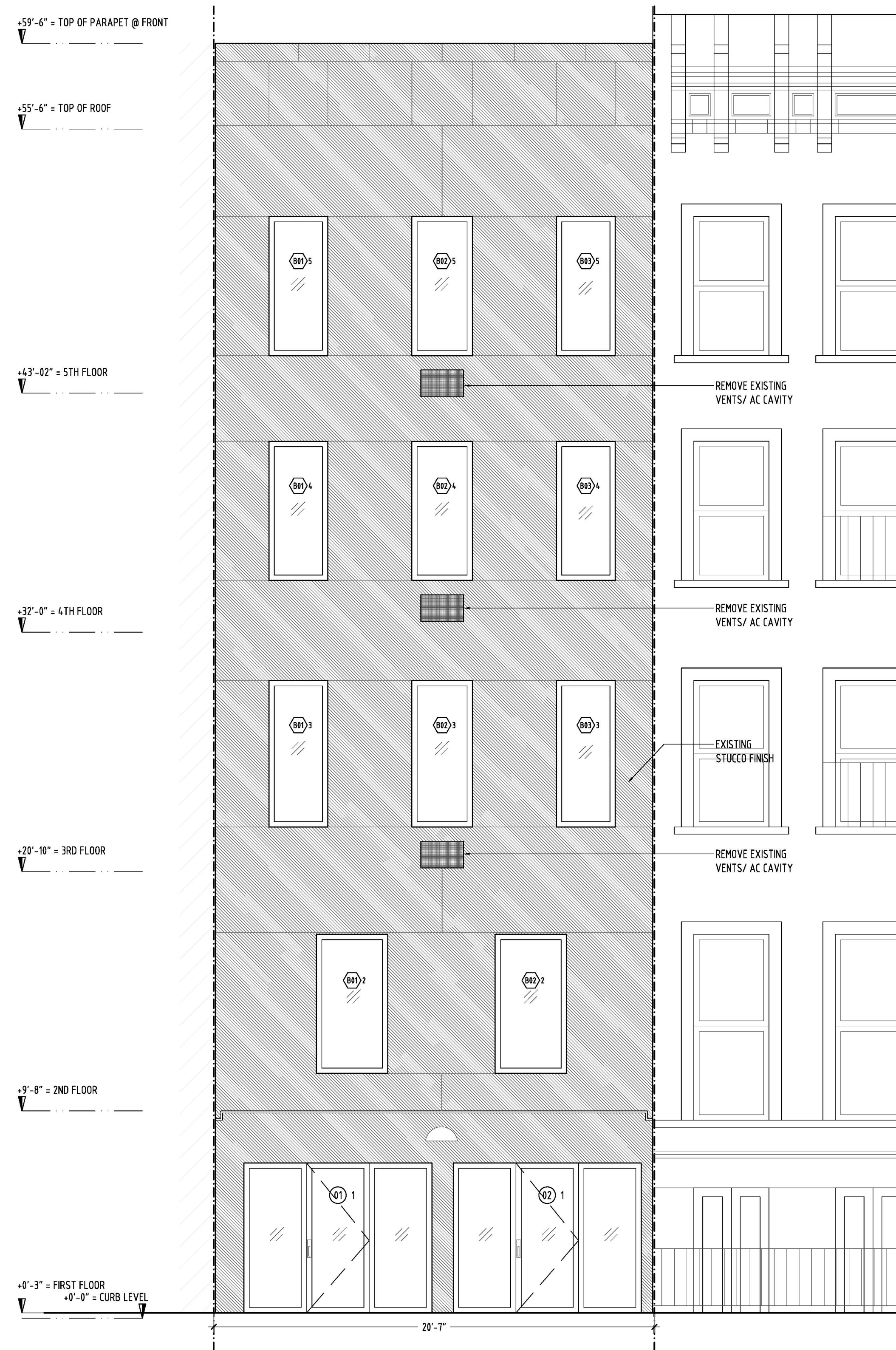


2 14-18 E 81ST ST - LIMESTONE FACADES  
Scale N.T.S.

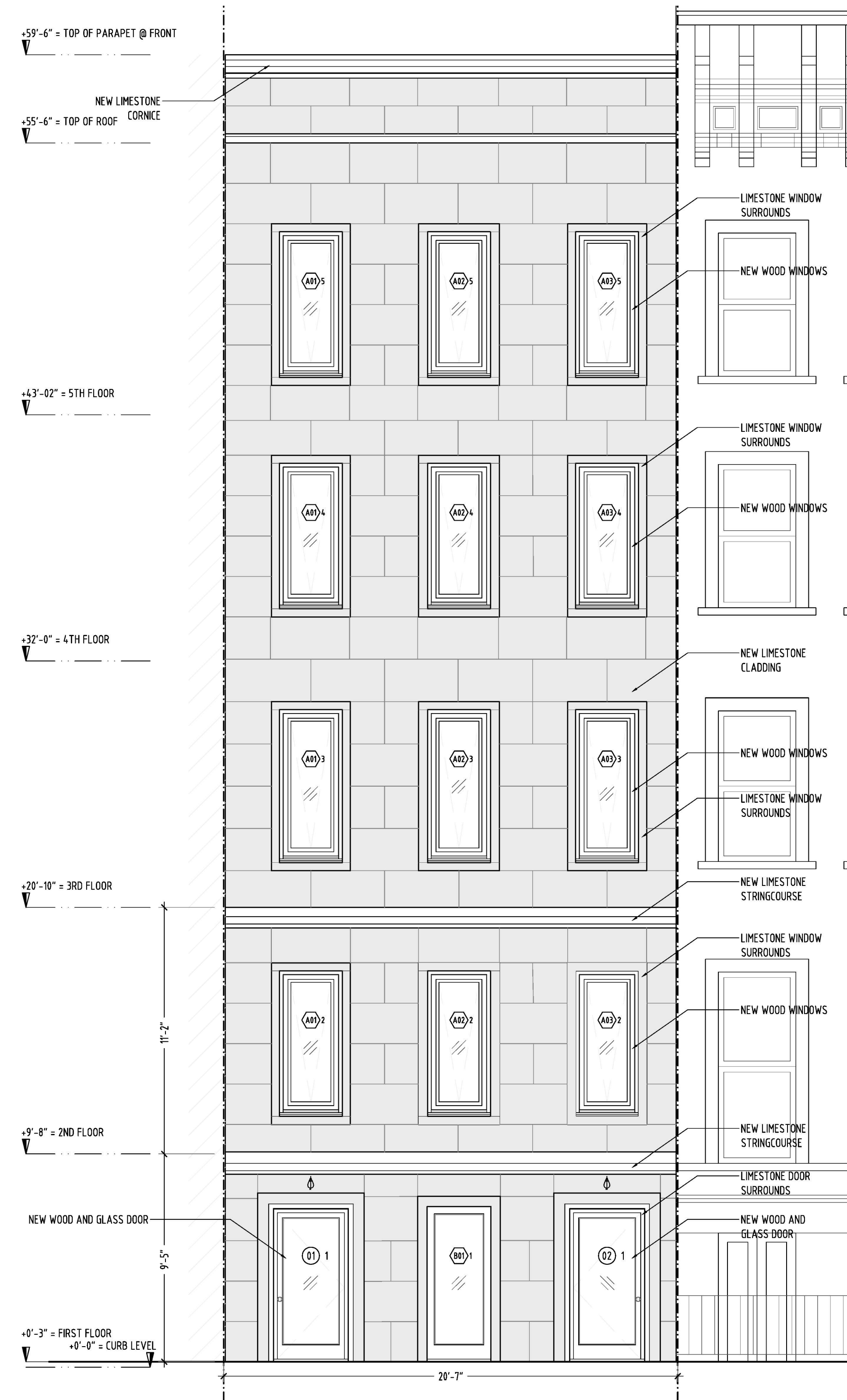


3 6 E 81ST ST - LIMESTONE FACADES  
Scale N.T.S.



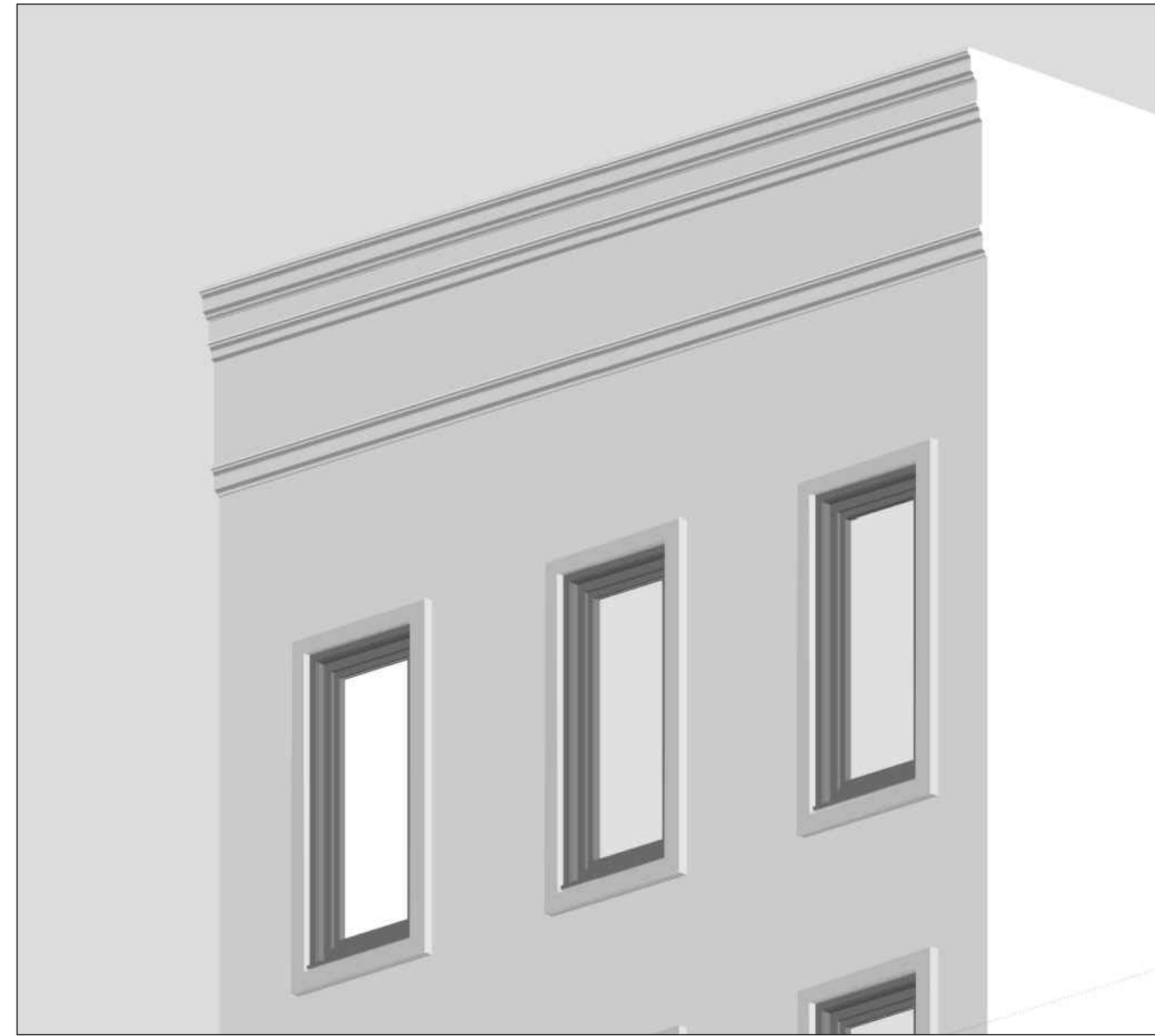


1 STREET ELEVATION - EXISTING  
Scale 1/4"=1'-0"



2 STREET ELEVATION - PROPOSED  
Scale 1/4"=1'-0"







**WINDOW SCHEDULE**

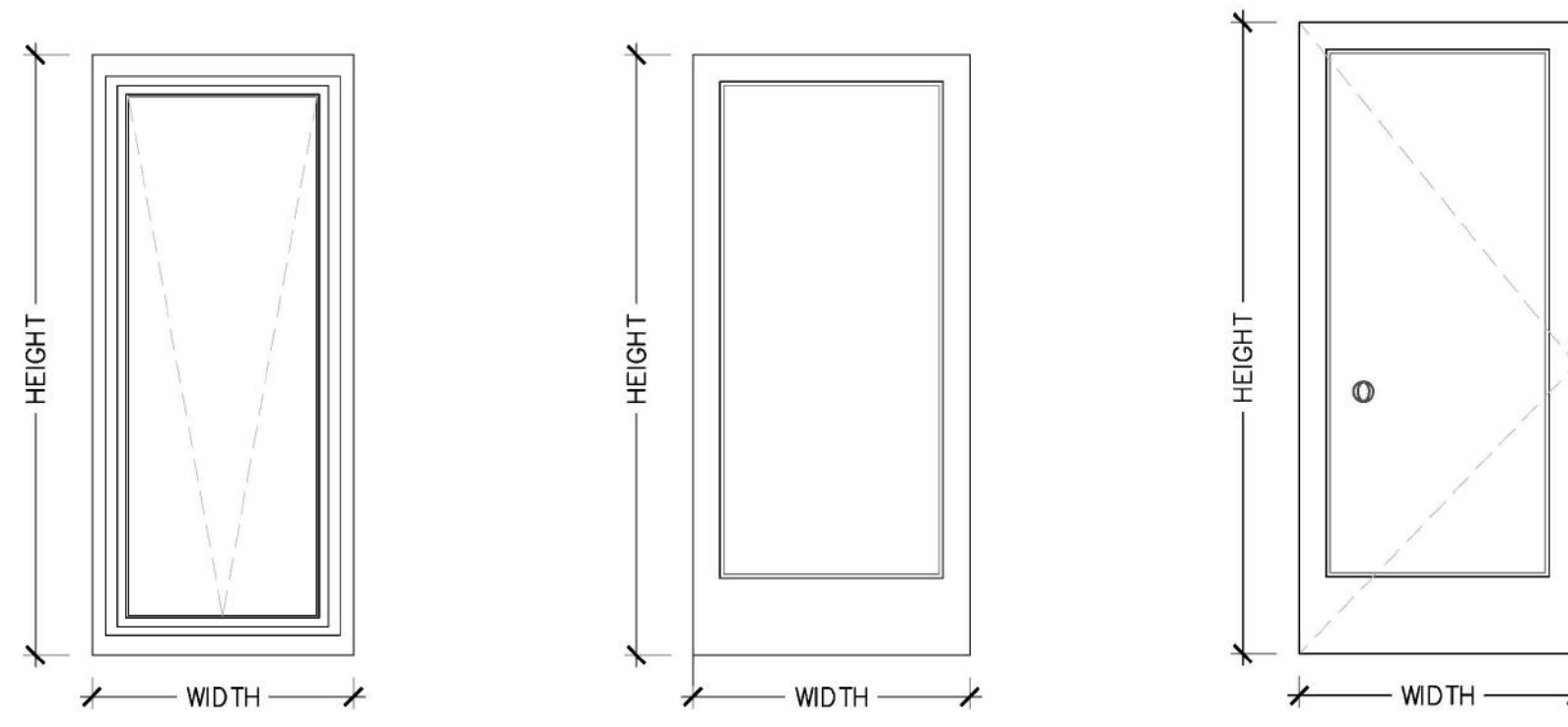
FLOOR	WINDOW #	LOCATION	TYPE	DESCRIPTION	WINDOW OPENING WIDTH X HEIGHT	GLAZING	FINISH		CASING	SUPPLIER	NOTES
							EXTERIOR	INTERIOR			
FIRST FLOOR	B01-1	LOBBY	B	FIXED PANEL	2'-10" X 7'-0"	INSULATED DOUBLE GLAZING	SOLID WOOD PAINTED MATTE BLACK RAL 9004 SIGNAL BLACK	SOLID WOOD PAINTED TBD	A	TBD	-
SECOND FLOOR	A01-2	APT	A	TILT-AND-TURN	2'-9" X 6'-6"	INSULATED DOUBLE GLAZING	SOLID WOOD PAINTED MATTE BLACK RAL 9004 SIGNAL BLACK	SOLID WOOD PAINTED TBD	A	TBD	-
	A02-2	APT	A	TILT-AND-TURN	2'-10" X 6'-6"	INSULATED DOUBLE GLAZING	SOLID WOOD PAINTED MATTE BLACK RAL 9004 SIGNAL BLACK	SOLID WOOD PAINTED TBD	A	TBD	-
	A03-2	APT	A	TILT-AND-TURN	2'-9" X 6'-6"	INSULATED DOUBLE GLAZING	SOLID WOOD PAINTED MATTE BLACK RAL 9004 SIGNAL BLACK	SOLID WOOD PAINTED TBD	A	TBD	-
THIRD FLOOR	A01-3	APT	A	TILT-AND-TURN	2'-9" X 6'-10"	INSULATED DOUBLE GLAZING	SOLID WOOD PAINTED MATTE BLACK RAL 9004 SIGNAL BLACK	SOLID WOOD PAINTED TBD	A	TBD	-
	A02-3	APT	A	TILT-AND-TURN	2'-10" X 6'-10"	INSULATED DOUBLE GLAZING	SOLID WOOD PAINTED MATTE BLACK RAL 9004 SIGNAL BLACK	SOLID WOOD PAINTED TBD	A	TBD	-
	A03-3	APT	A	TILT-AND-TURN	2'-9" X 6'-10"	INSULATED DOUBLE GLAZING	SOLID WOOD PAINTED MATTE BLACK RAL 9004 SIGNAL BLACK	SOLID WOOD PAINTED TBD	A	TBD	-
FOURTH FLOOR	A01-3	APT	A	TILT-AND-TURN	2'-9" X 6'-6"	INSULATED DOUBLE GLAZING	SOLID WOOD PAINTED MATTE BLACK RAL 9004 SIGNAL BLACK	SOLID WOOD PAINTED TBD	A	TBD	-
	A02-3	APT	A	TILT-AND-TURN	2'-10" X 6'-6"	INSULATED DOUBLE GLAZING	SOLID WOOD PAINTED MATTE BLACK RAL 9004 SIGNAL BLACK	SOLID WOOD PAINTED TBD	A	TBD	-
	A03-3	APT	A	TILT-AND-TURN	2'-9" X 6'-6"	INSULATED DOUBLE GLAZING	SOLID WOOD PAINTED MATTE BLACK RAL 9004 SIGNAL BLACK	SOLID WOOD PAINTED TBD	A	TBD	-
FIFTH FLOOR	A01-3	APT	A	TILT-AND-TURN	2'-9" X 6'-6"	INSULATED DOUBLE GLAZING	SOLID WOOD PAINTED MATTE BLACK RAL 9004 SIGNAL BLACK	SOLID WOOD PAINTED TBD	A	TBD	-
	A02-3	APT	A	TILT-AND-TURN	2'-10" X 6'-6"	INSULATED DOUBLE GLAZING	SOLID WOOD PAINTED MATTE BLACK RAL 9004 SIGNAL BLACK	SOLID WOOD PAINTED TBD	A	TBD	-
	A03-3	APT	A	TILT-AND-TURN	2'-9" X 6'-6"	INSULATED DOUBLE GLAZING	SOLID WOOD PAINTED MATTE BLACK RAL 9004 SIGNAL BLACK	SOLID WOOD PAINTED TBD	A	TBD	-

NOTES:  
 1. VERIFY ALL DIMENSIONS IN FIELD PRIOR TO FABRICATION.  
 2. SHOP DRAWINGS TO BE SUBMITTED FOR WINDOW TYPES.  
 3. HEIGHT OF ALL KNOBS, LEVERS AND PULLS TO MATCH UNLESS OTHERWISE NOTED.  
 4. WINDOWS TO BE PROVIDED WITH ALL THE PARTS REQUIRED TO FUNCTION, INCLUDING HARDWARE.  
 5. WINDOW HARDWARE PARTS NOT SPECIFIED IN THIS SET TO BE PROVIDED BY GC AFTER APPROVAL BY ARCHITECT.  
 6. GLASS SPECIFICATIONS TO BE CONFIRMED BY MANUFACTURER/VENDOR.

**DOOR SCHEDULE**

FLOOR	DOOR#	LOCATION	TYPE	FIRE RATING	MATERIAL	FINISH	THICKNESS	TYPE	DOOR OPENING WIDTH X HEIGHT	JAMB THICKNESS	HARWARE TYPE	DOOR CASING		DOOR STOP	NOTES
												ROOM SIDE	TYPE		
FIRST FLOOR	01-1	LOBBY	A	-	SOLID WOOD WITH GLASS PANEL	EXTERIOR PAINTED BLACK MATTE	3 1/8"	SWING	3'-0" X 7'-0"	3/4"	AA	ONE	A	YES	-
	02-2	LOBBY	A	-	SOLID WOOD WITH GLASS PANEL	EXTERIOR PAINTED BLACK MATTE	3 1/8"	SWING	3'-1" X 7'-0"	3/4"	AA	ONE	A	YES	-

NOTES:  
 1. VERIFY ALL DIMENSIONS IN FIELD PRIOR TO FABRICATION.  
 2. SHOP DRAWINGS TO BE SUBMITTED FOR DOOR TYPES.  
 3. HEIGHT OF ALL KNOBS, LEVERS AND PULLS TO MATCH UNLESS OTHERWISE NOTED.  
 4. DOORS TO BE PROVIDED WITH ALL THE PARTS REQUIRED TO FUNCTION, INCLUDING HARDWARE.  
 5. DOOR HARDWARE PARTS REQUIRED TO FUNCTION NOT SPECIFIED IN THIS SET TO BE PROVIDED BY GC AFTER APPROVAL BY ARCHITECT.



**WINDOW TYPE A**  
 TYPE: TILT  
 MATERIAL: SOLID WOOD  
 EXTERIOR TRIM: WOOD  
 EXTERIOR FINISH: BLACK MATTE PAINT  
 GLASS: INSULATED DOUBLE GLASS  
 QUANTITY: 12  
 (A)1 (A)2 (A)3 (A)4 (A)5  
 (A)6 (A)7 (A)8 (A)9 (A)10  
 (A)11 (A)12

**WINDOW TYPE B**  
 TYPE: FIXED PANEL  
 MATERIAL: SOLID WOOD  
 EXTERIOR TRIM: WOOD  
 EXTERIOR FINISH: BLACK MATTE PAINT  
 GLASS: INSULATED DOUBLE GLASS  
 QUANTITY: 1  
 (B)1

**DOOR TYPE A**  
 THICKNESS: 3-1/8"  
 MATERIAL: SOLID WOOD WITH GLASS  
 EXTERIOR TRIM: WOOD  
 TYPE: SWINGING  
 FINISH: EXTERIOR PAINTED BLACK MATTE  
 QUANTITY: 2  
 (D)1 (D)2

